

# 74LVC16245A; 74LVCH16245A

16-bit bus transceiver with direction pin; 5 V tolerant; 3-state

Rev. 12 — 13 February 2012

Product data sheet

## 1. General description

---

The 74LVC16245A; 74LVCH16245A are 16-bit transceivers featuring non-inverting 3-state bus compatible outputs in both send and receive directions. The device features two output enable ( $\overline{\text{nOE}}$ ) inputs for easy cascading and two send/receive ( $\text{nDIR}$ ) inputs for direction control.  $\overline{\text{nOE}}$  controls the outputs so that the buses are effectively isolated. This device can be used as two 8-bit transceivers or one 16-bit transceiver.

Inputs can be driven from either 3.3 V or 5 V devices. When disabled, up to 5.5 V can be applied to the outputs. These features allow the use of these devices in mixed 3.3 V and 5 V applications.

The 74LVCH16245A bus hold on data inputs eliminates the need for external pull-up resistors to hold unused inputs.

## 2. Features and benefits

---

- 5 V tolerant inputs/outputs for interfacing with 5 V logic
- Wide supply voltage range from 1.2 V to 3.6 V
- CMOS low power consumption
- MULTIBYTE flow-through standard pin-out architecture
- Low inductance multiple power and ground pins for minimum noise and ground bounce
- Direct interface with TTL levels
- High-impedance when  $V_{CC} = 0$  V
- All data inputs have bus hold (74LVCH16245A only)
- Complies with JEDEC standard:
  - ◆ JESD8-7A (1.65 V to 1.95 V)
  - ◆ JESD8-5A (2.3 V to 2.7 V)
  - ◆ JESD8-C/JESD36 (2.7 V to 3.6 V)
- ESD protection:
  - ◆ HBM JESD22-A114F exceeds 2000 V
  - ◆ MM JESD22-A115-B exceeds 200 V
  - ◆ CDM JESD22-C101E exceeds 1000 V
- Specified from  $-40$  °C to  $+85$  °C and  $-40$  °C to  $+125$  °C

## 3. Ordering information

Table 1. Ordering information

Type number	Temperature range	Package		
		Name	Description	Version
74LVC16245ADL 74LVCH16245ADL	-40 °C to +125 °C	SSOP48	plastic shrink small outline package; 48 leads; body width 7.5 mm	SOT370-1
74LVC16245ADGG 74LVCH16245ADGG	-40 °C to +125 °C	TSSOP48	plastic thin shrink small outline package; 48 leads; body width 6.1 mm	SOT362-1
74LVC16245AEV 74LVCH16245AEV	-40 °C to +125 °C	VFBGA56	plastic very thin fine-pitch ball grid array package; 56 balls; body 4.5 × 7 × 0.65 mm	SOT702-1
74LVC16245ABX 74LVCH16245ABX	-40 °C to +125 °C	HXQFN60	plastic compatible thermal enhanced extremely thin quad flat package; no leads; 60 terminals; body 4 × 6 × 0.5 mm	SOT1134-2

## 4. Functional diagram

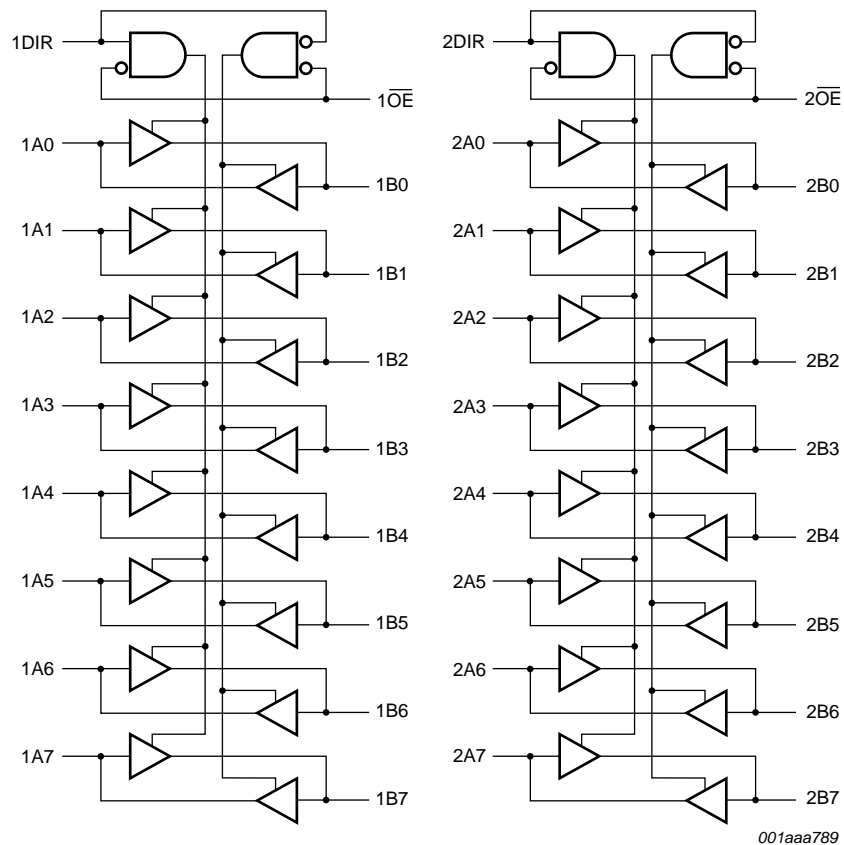


Fig 1. Logic symbol

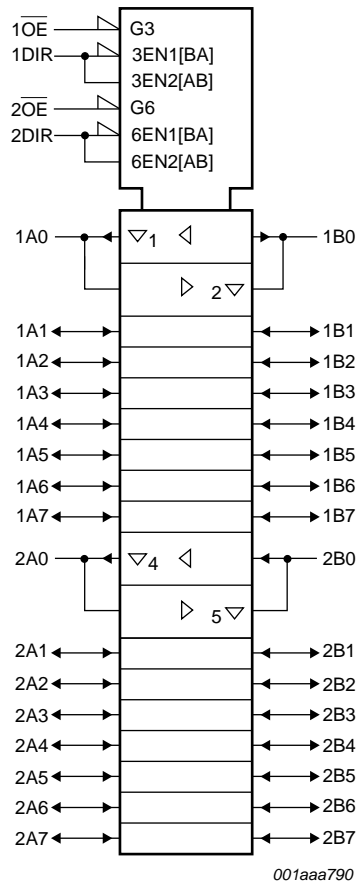


Fig 2. IEC logic symbol

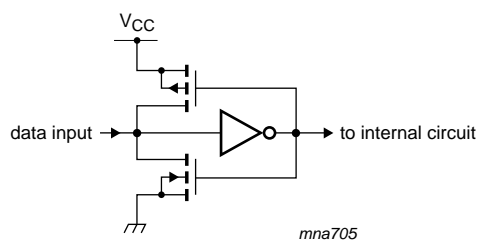
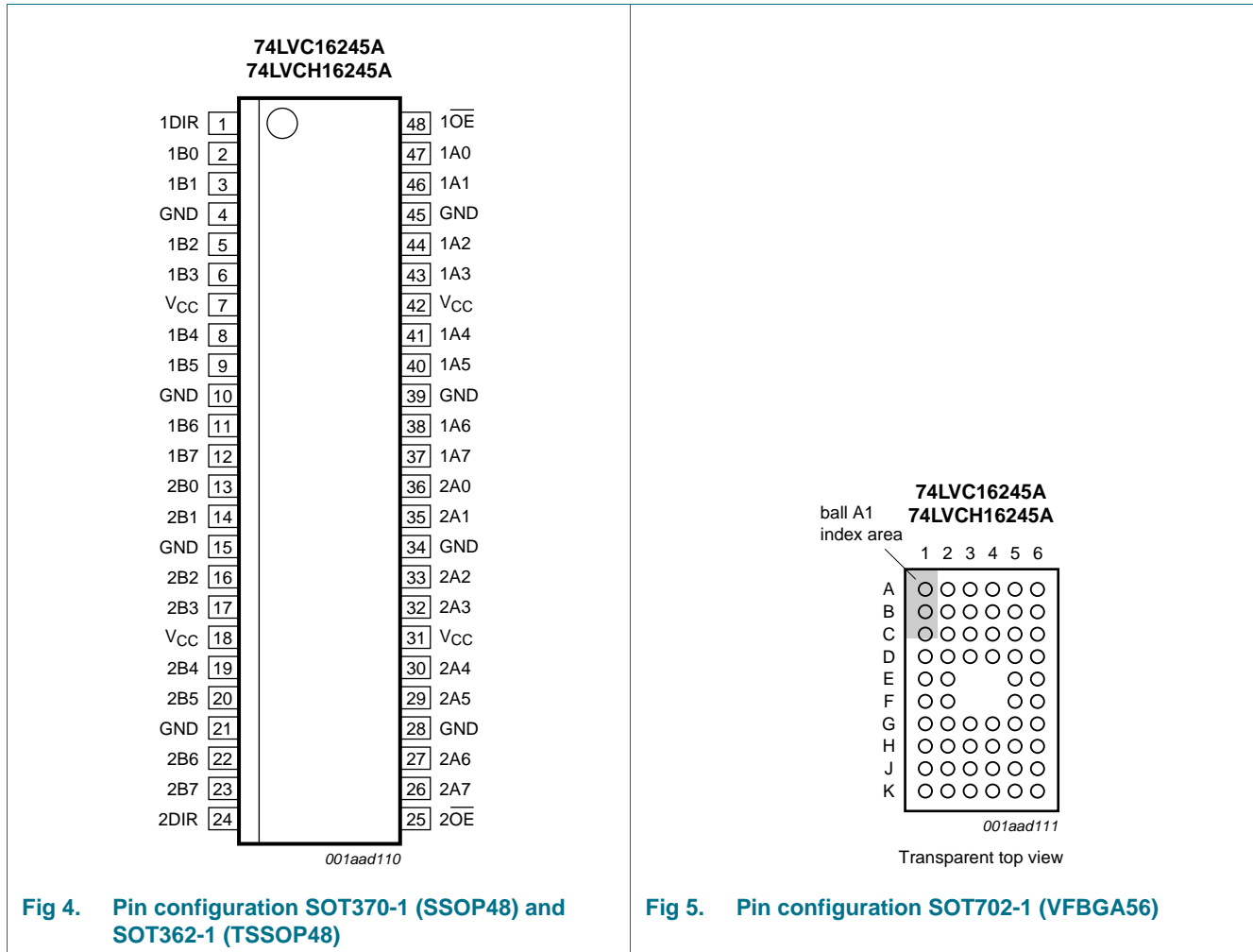
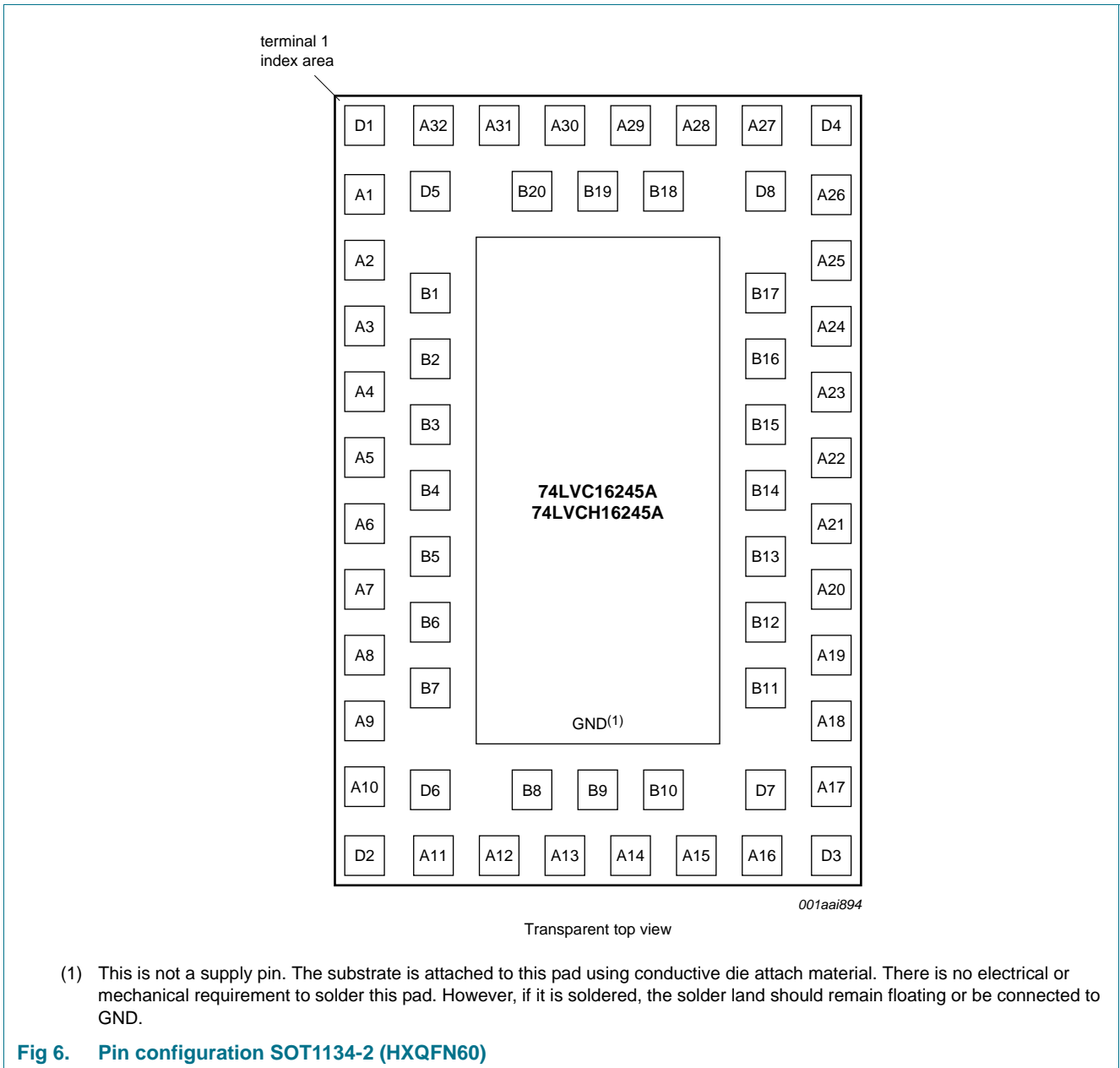


Fig 3. Bus hold circuit

## 5. Pinning information

### 5.1 Pinning





## 5.2 Pin description

Table 2. Pin description

Symbol	Pin			Description
	SOT370-1 and SOT362-1	SOT702-1	SOT1134-2	
1DIR, 2DIR	1, 24	A1, K1	A30, A13	direction control input
1B0 to 1B7	2, 3, 5, 6, 8, 9, 11, 12	B2, B1, C2, C1, D2, D1, E2, E1	B20, A31, D5, D1, A2, B2, B3, A5	data input/output
2B0 to 2B7	13, 14, 16, 17, 19, 20, 22, 23	F1, F2, G1, G2, H1, H2, J1, J2	A6, B5, B6, A9, D2, D6, A12, B8	data input/output
GND	4, 10, 15, 21, 28, 34, 39, 45	B3, B4, D3, D4, G3, G4, J3, J4	A32, A3, A8, A11, A16, A19, A24, A27	ground (0 V)
V <sub>CC</sub>	7, 18, 31, 42	C3, C4, H3, H4	A1, A10, A17, A26	supply voltage
$\overline{1OE}$ , $\overline{2OE}$	48, 25	A6, K6	A29, A14	output enable input (active LOW)
1A0 to 1A7	47, 46, 44, 43, 41, 40, 38, 37	B5, B6, C5, C6, D5, D6, E5, E6	B18, A28, D8, D4, A25, B16, B15, A22	data input/output
2A0 to 2A7	36, 35, 33, 32, 30, 29, 27, 26	F6, F5, G6, G5, H6, H5, J6, J5	A21, B13, B12, A18, D3, D7, A15, B10	data input/output
n.c.	-	A2, A3, A4, A5, K2, K3, K4, K5	A4, A7, A20, A23, B1, B4, B7, B9, B11, B14, B17, B19	not connected

## 6. Functional description

Table 3. Function table<sup>[1]</sup>

Inputs		Outputs	
$\overline{nOE}$	nDIR	nAn	nBn
L	L	nAn = nBn	inputs
L	H	inputs	nBn = nAn
H	X	Z	Z

[1] H = HIGH voltage level; L = LOW voltage level; X = don't care; Z = high-impedance OFF-state.

## 7. Limiting values

**Table 4. Limiting values**

In accordance with the Absolute Maximum Rating System (IEC 60134). Voltages are referenced to GND (ground = 0 V).

Symbol	Parameter	Conditions	Min	Max	Unit
$V_{CC}$	supply voltage		-0.5	+6.5	V
$I_{IK}$	input clamping current	$V_I < 0$ V	-50	-	mA
$V_I$	input voltage		[1] -0.5	+6.5	V
$I_{OK}$	output clamping current	$V_O > V_{CC}$ or $V_O < 0$ V	-	±50	mA
$V_O$	output voltage	output HIGH or LOW	[2] -0.5	$V_{CC} + 0.5$	V
		output 3-state	[2] -0.5	+6.5	V
$I_O$	output current	$V_O = 0$ V to $V_{CC}$	-	±50	mA
$I_{CC}$	supply current		-	100	mA
$I_{GND}$	ground current		-100	-	mA
$T_{stg}$	storage temperature		-65	+150	°C
$P_{tot}$	total power dissipation	$T_{amb} = -40$ °C to $+125$ °C;			
		(T)SSOP48 package	[3] -	500	mW
		VFBGA56 package	[4] -	1000	mW
		HXQFN60 package	[4] -	1000	mW

[1] The minimum input voltage ratings may be exceeded if the input current ratings are observed.

[2] The output voltage ratings may be exceeded if the output current ratings are observed.

[3] Above 60 °C the value of  $P_{tot}$  derates linearly with 5.5 mW/K.

[4] Above 70 °C the value of  $P_{tot}$  derates linearly with 1.8 mW/K.

## 8. Recommended operating conditions

**Table 5. Recommended operating conditions**

Symbol	Parameter	Conditions	Min	Typ	Max	Unit
$V_{CC}$	supply voltage		1.65	-	3.6	V
		functional	1.2	-	3.6	V
$V_I$	input voltage		0	-	5.5	V
$V_O$	output voltage	output HIGH or LOW	0	-	$V_{CC}$	V
		output 3-state	0	-	5.5	V
$T_{amb}$	ambient temperature	in free air	-40	-	+125	°C
$\Delta t/\Delta V$	input transition rise and fall rate	$V_{CC} = 1.2$ V to $2.7$ V	0	-	20	ns/V
		$V_{CC} = 2.7$ V to $3.6$ V	0	-	10	ns/V

## 9. Static characteristics

**Table 6. Static characteristics**

At recommended operating conditions. Voltages are referenced to GND (ground = 0 V).

Symbol	Parameter	Conditions	-40 °C to +85 °C			-40 °C to +125 °C		Unit
			Min	Typ <sup>[1]</sup>	Max	Min	Max	
V <sub>IH</sub>	HIGH-level input voltage	V <sub>CC</sub> = 1.2 V	1.08	-	-	1.08	-	V
		V <sub>CC</sub> = 1.65 V to 1.95 V	0.65 × V <sub>CC</sub>	-	-	0.65 × V <sub>CC</sub>	-	V
		V <sub>CC</sub> = 2.3 V to 2.7 V	1.7	-	-	1.7	-	V
		V <sub>CC</sub> = 2.7 V to 3.6 V	2.0	-	-	2.0	-	V
V <sub>IL</sub>	LOW-level input voltage	V <sub>CC</sub> = 1.2 V	-	-	0.12	-	0.12	V
		V <sub>CC</sub> = 1.65 V to 1.95 V	-	-	0.35 × V <sub>CC</sub>	-	0.35 × V <sub>CC</sub>	V
		V <sub>CC</sub> = 2.3 V to 2.7 V	-	-	0.7	-	0.7	V
		V <sub>CC</sub> = 2.7 V to 3.6 V	-	-	0.8	-	0.8	V
V <sub>OH</sub>	HIGH-level output voltage	V <sub>I</sub> = V <sub>IH</sub> or V <sub>IL</sub>						
		I <sub>O</sub> = -100 μA; V <sub>CC</sub> = 1.65 V to 3.6 V	V <sub>CC</sub> - 0.2	-	-	V <sub>CC</sub> - 0.3	-	V
		I <sub>O</sub> = -4 mA; V <sub>CC</sub> = 1.65 V	1.2	-	-	1.05	-	V
		I <sub>O</sub> = -8 mA; V <sub>CC</sub> = 2.3 V	1.8	-	-	1.65	-	V
		I <sub>O</sub> = -12 mA; V <sub>CC</sub> = 2.7 V	2.2	-	-	2.05	-	V
		I <sub>O</sub> = -18 mA; V <sub>CC</sub> = 3.0 V	2.4	-	-	2.25	-	V
		I <sub>O</sub> = -24 mA; V <sub>CC</sub> = 3.0 V	2.2	-	-	2.0	-	V
V <sub>OL</sub>	LOW-level output voltage	V <sub>I</sub> = V <sub>IH</sub> or V <sub>IL</sub>						
		I <sub>O</sub> = 100 μA; V <sub>CC</sub> = 1.65 V to 3.6 V	-	-	0.2	-	0.3	V
		I <sub>O</sub> = 4 mA; V <sub>CC</sub> = 1.65 V	-	-	0.45	-	0.65	V
		I <sub>O</sub> = 8 mA; V <sub>CC</sub> = 2.3 V	-	-	0.6	-	0.8	V
		I <sub>O</sub> = 12 mA; V <sub>CC</sub> = 2.7 V	-	-	0.4	-	0.6	V
		I <sub>O</sub> = 24 mA; V <sub>CC</sub> = 3.0 V	-	-	0.55	-	0.8	V
I <sub>I</sub>	input leakage current <sup>[2]</sup>	V <sub>I</sub> = 5.5 V or GND; V <sub>CC</sub> = 3.6 V	-	±0.1	±5	-	±20	μA
I <sub>OZ</sub>	OFF-state output current <sup>[2][3]</sup>	V <sub>I</sub> = V <sub>IH</sub> or V <sub>IL</sub> ; V <sub>O</sub> = 5.5 V or GND; V <sub>CC</sub> = 3.6 V	-	±0.1	±5	-	±20	μA
I <sub>OFF</sub>	power-off leakage current	V <sub>I</sub> or V <sub>O</sub> = 5.5 V; V <sub>CC</sub> = 0.0 V	-	±0.1	±10	-	±20	μA
I <sub>CC</sub>	supply current	V <sub>I</sub> = V <sub>CC</sub> or GND; I <sub>O</sub> = 0 A; V <sub>CC</sub> = 3.6 V	-	0.1	20	-	80	μA
ΔI <sub>CC</sub>	additional supply current	per input pin; V <sub>I</sub> = V <sub>CC</sub> - 0.6 V; I <sub>O</sub> = 0 A; V <sub>CC</sub> = 2.7 V to 3.6 V	-	5	500	-	5000	μA
C <sub>I</sub>	input capacitance	V <sub>CC</sub> = 0 V to 3.6 V; V <sub>I</sub> = GND to V <sub>CC</sub>	-	5.0	-	-	-	pF
C <sub>I/O</sub>	input/output capacitance	V <sub>CC</sub> = 0 V to 3.6 V; V <sub>I</sub> = GND to V <sub>CC</sub>	-	10	-	-	-	pF



**Table 6. Static characteristics ...continued**

At recommended operating conditions. Voltages are referenced to GND (ground = 0 V).

Symbol	Parameter	Conditions	-40 °C to +85 °C			-40 °C to +125 °C		Unit
			Min	Typ <sup>[1]</sup>	Max	Min	Max	
I <sub>BHL</sub>	bus hold LOW current <sup>[4][5]</sup>	V <sub>CC</sub> = 1.65; V <sub>I</sub> = 0.58 V	10	-	-	10	-	μA
		V <sub>CC</sub> = 2.3; V <sub>I</sub> = 0.7 V	30	-	-	25	-	μA
		V <sub>CC</sub> = 3.0; V <sub>I</sub> = 0.8 V	75	-	-	60	-	μA
I <sub>BHH</sub>	bus hold HIGH current <sup>[4][5]</sup>	V <sub>CC</sub> = 1.65; V <sub>I</sub> = 1.07 V	-10	-	-	-10	-	μA
		V <sub>CC</sub> = 2.3; V <sub>I</sub> = 1.7 V	-30	-	-	-25	-	μA
		V <sub>CC</sub> = 3.0; V <sub>I</sub> = 2.0 V	-75	-	-	-60	-	μA
I <sub>BHLO</sub>	bus hold LOW overdrive current <sup>[4][6]</sup>	V <sub>CC</sub> = 1.95 V	200	-	-	200	-	μA
		V <sub>CC</sub> = 2.7 V	300	-	-	300	-	μA
		V <sub>CC</sub> = 3.6 V	500	-	-	500	-	μA
I <sub>BHHO</sub>	bus hold HIGH overdrive current <sup>[4][6]</sup>	V <sub>CC</sub> = 1.95 V	-200	-	-	-200	-	μA
		V <sub>CC</sub> = 2.7 V	-300	-	-	-300	-	μA
		V <sub>CC</sub> = 3.6 V	-500	-	-	-500	-	μA

[1] All typical values are measured at V<sub>CC</sub> = 3.3 V (unless stated otherwise) and T<sub>amb</sub> = 25 °C.[2] The bus hold circuit is switched off when V<sub>I</sub> > V<sub>CC</sub> allowing 5.5 V on the input terminal.[3] For I/O ports the parameter I<sub>OZ</sub> includes the input leakage current.

[4] Valid for data inputs of bus hold parts only (74LVCH16245A). Note that control inputs do not have a bus hold circuit.

[5] The specified sustaining current at the data input holds the input below the specified V<sub>I</sub> level.

[6] The specified overdrive current at the data input forces the data input to the opposite input state.

## 10. Dynamic characteristics

**Table 7. Dynamic characteristics**Voltages are referenced to GND (ground = 0 V). For test circuit see [Figure 9](#).

Symbol	Parameter	Conditions	-40 °C to +85 °C			-40 °C to +125 °C		Unit
			Min	Typ <sup>[2]</sup>	Max	Min	Max	
t <sub>pd</sub>	propagation delay	nAn to nBn; nBn to nAn; see <a href="#">Figure 7</a> <sup>[1]</sup>						
		V <sub>CC</sub> = 1.2 V	-	13.0	-	-	-	ns
		V <sub>CC</sub> = 1.65 V to 1.95 V	1.5	5.2	12.2	1.5	13.8	ns
		V <sub>CC</sub> = 2.3 V to 2.7 V	1.0	2.8	6.0	1.0	6.7	ns
		V <sub>CC</sub> = 2.7 V	1.0	2.7	4.7	1.0	6.0	ns
t <sub>en</sub>	enable time	nOE to nAn, nBn; see <a href="#">Figure 8</a> <sup>[1]</sup>						
		V <sub>CC</sub> = 1.2 V	-	15.0	-	-	-	ns
		V <sub>CC</sub> = 1.65 V to 1.95 V	1.5	5.9	15.0	1.5	16.9	ns
		V <sub>CC</sub> = 2.3 V to 2.7 V	1.0	3.3	7.9	1.0	8.8	ns
		V <sub>CC</sub> = 2.7 V	1.5	3.5	6.7	1.5	8.5	ns
		V <sub>CC</sub> = 3.0 V to 3.6 V	1.0	2.7	5.5	1.0	7.0	ns

**Table 7. Dynamic characteristics ...continued**

Voltages are referenced to GND (ground = 0 V). For test circuit see [Figure 9](#).

Symbol	Parameter	Conditions	-40 °C to +85 °C			-40 °C to +125 °C		Unit
			Min	Typ <sup>[2]</sup>	Max	Min	Max	
t <sub>dis</sub>	disable time	nOE to nAn, nBn; see <a href="#">Figure 8</a> <sup>[1]</sup>						
		V <sub>CC</sub> = 1.2 V	-	11.0	-	-	-	ns
		V <sub>CC</sub> = 1.65 V to 1.95 V	1.0	4.9	13.1	1.0	14.7	ns
		V <sub>CC</sub> = 2.3 V to 2.7 V	0.5	2.7	7.1	0.5	7.9	ns
		V <sub>CC</sub> = 2.7 V	1.5	3.4	6.6	1.5	8.5	ns
		V <sub>CC</sub> = 3.0 V to 3.6 V	1.5	3.3	5.6	1.5	7.0	ns
C <sub>PD</sub>	power dissipation capacitance	per input; V <sub>I</sub> = GND to V <sub>CC</sub> <sup>[3]</sup>						
		V <sub>CC</sub> = 1.65 V to 1.95 V	-	11.5	-	-	-	pF
		V <sub>CC</sub> = 2.3 V to 2.7 V	-	15.2	-	-	-	pF
		V <sub>CC</sub> = 3.0 V to 3.6 V	-	18.5	-	-	-	pF

- [1] t<sub>pd</sub> is the same as t<sub>PLH</sub> and t<sub>PHL</sub>.  
t<sub>en</sub> is the same as t<sub>PZL</sub> and t<sub>PZH</sub>.  
t<sub>dis</sub> is the same as t<sub>PLZ</sub> and t<sub>PHZ</sub>.

[2] Typical values are measured at T<sub>amb</sub> = 25 °C and V<sub>CC</sub> = 1.2 V, 1.8 V, 2.5 V, 2.7 V and 3.3 V respectively.

[3] C<sub>PD</sub> is used to determine the dynamic power dissipation (P<sub>D</sub> in μW).

$$P_D = C_{PD} \times V_{CC}^2 \times f_i \times N + \Sigma(C_L \times V_{CC}^2 \times f_o) \text{ where:}$$

f<sub>i</sub> = input frequency in MHz; f<sub>o</sub> = output frequency in MHz

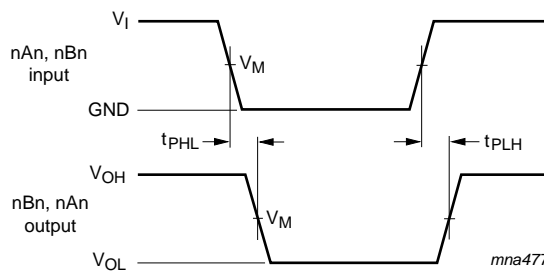
C<sub>L</sub> = output load capacitance in pF

V<sub>CC</sub> = supply voltage in Volts

N = number of inputs switching

Σ(C<sub>L</sub> × V<sub>CC</sub><sup>2</sup> × f<sub>o</sub>) = sum of the outputs.

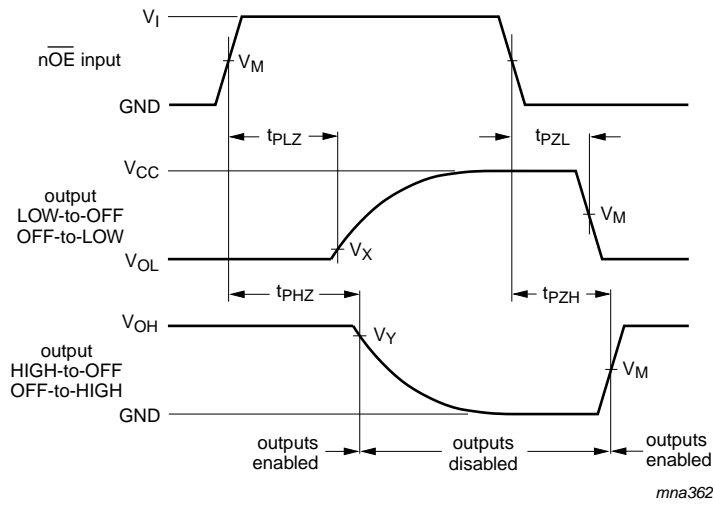
## 11. Waveforms



Measurement points are given in [Table 8](#).

Logic levels: V<sub>OL</sub> and V<sub>OH</sub> are typical output voltage levels that occur with the output load.

**Fig 7. The input (nAn, nBn) to output (nBn, nAn) propagation delays**



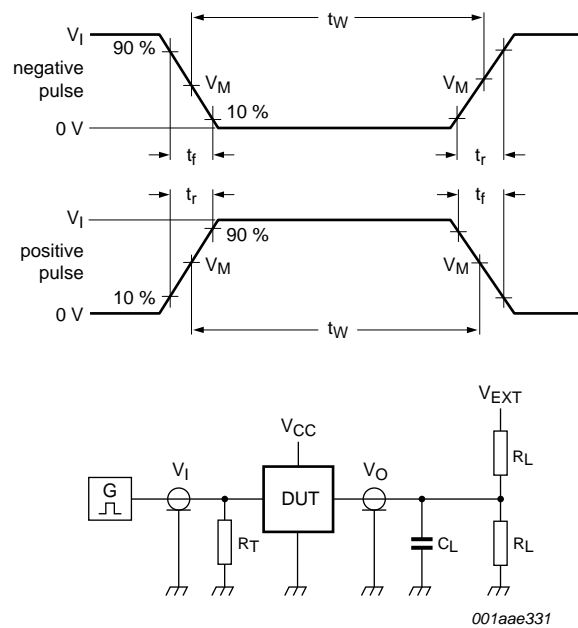
Measurement points are given in [Table 8](#).

Logic levels:  $V_{OL}$  and  $V_{OH}$  are typical output voltage levels that occur with the output load.

**Fig 8. 3-state enable and disable times**

**Table 8. Measurement points**

Supply voltage	$V_M$	Input			
		$V_I$	$t_r = t_f$	$V_X$	$V_Y$
1.2 V	$0.5 \times V_{CC}$	$V_{CC}$	$\leq 2.5$ ns	$V_{OL} + 0.15$ V	$V_{OH} - 0.15$ V
1.65 V to 1.95 V	$0.5 \times V_{CC}$	$V_{CC}$	$\leq 2.5$ ns	$V_{OL} + 0.15$ V	$V_{OH} - 0.15$ V
2.3 V to 2.7 V	$0.5 \times V_{CC}$	$V_{CC}$	$\leq 2.5$ ns	$V_{OL} + 0.15$ V	$V_{OH} - 0.15$ V
2.7 V	1.5 V	2.7 V	$\leq 2.5$ ns	$V_{OL} + 0.3$ V	$V_{OH} - 0.3$ V
3.0 V to 3.6 V	1.5 V	2.7 V	$\leq 2.5$ ns	$V_{OL} + 0.3$ V	$V_{OH} - 0.3$ V



Test data is given in [Table 9](#).

Definitions for test circuit:

$R_L$  = Load resistance.

$C_L$  = Load capacitance including jig and probe capacitance.

$R_T$  = Termination resistance should be equal to output impedance  $Z_o$  of the pulse generator.

$V_{EXT}$  = External voltage for measuring switching times.

**Fig 9. Test circuit for measuring switching times**

**Table 9. Test data**

Supply voltage	Input		Load		$V_{EXT}$		
	$V_I$	$t_r, t_f$	$C_L$	$R_L$	$t_{PLH}, t_{PHL}$	$t_{PLZ}, t_{PZL}$	$t_{PHZ}, t_{PZH}$
1.2 V	$V_{CC}$	$\leq 2$ ns	30 pF	1 k $\Omega$	open	$2 \times V_{CC}$	GND
1.65 V to 1.95 V	$V_{CC}$	$\leq 2$ ns	30 pF	1 k $\Omega$	open	$2 \times V_{CC}$	GND
2.3 V to 2.7 V	$V_{CC}$	$\leq 2$ ns	30 pF	500 $\Omega$	open	$2 \times V_{CC}$	GND
2.7 V	2.7 V	$\leq 2.5$ ns	50 pF	500 $\Omega$	open	$2 \times V_{CC}$	GND
3.0 V to 3.6 V	2.7 V	$\leq 2.5$ ns	50 pF	500 $\Omega$	open	$2 \times V_{CC}$	GND

## 12. Package outline

SSOP48: plastic shrink small outline package; 48 leads; body width 7.5 mm

SOT370-1

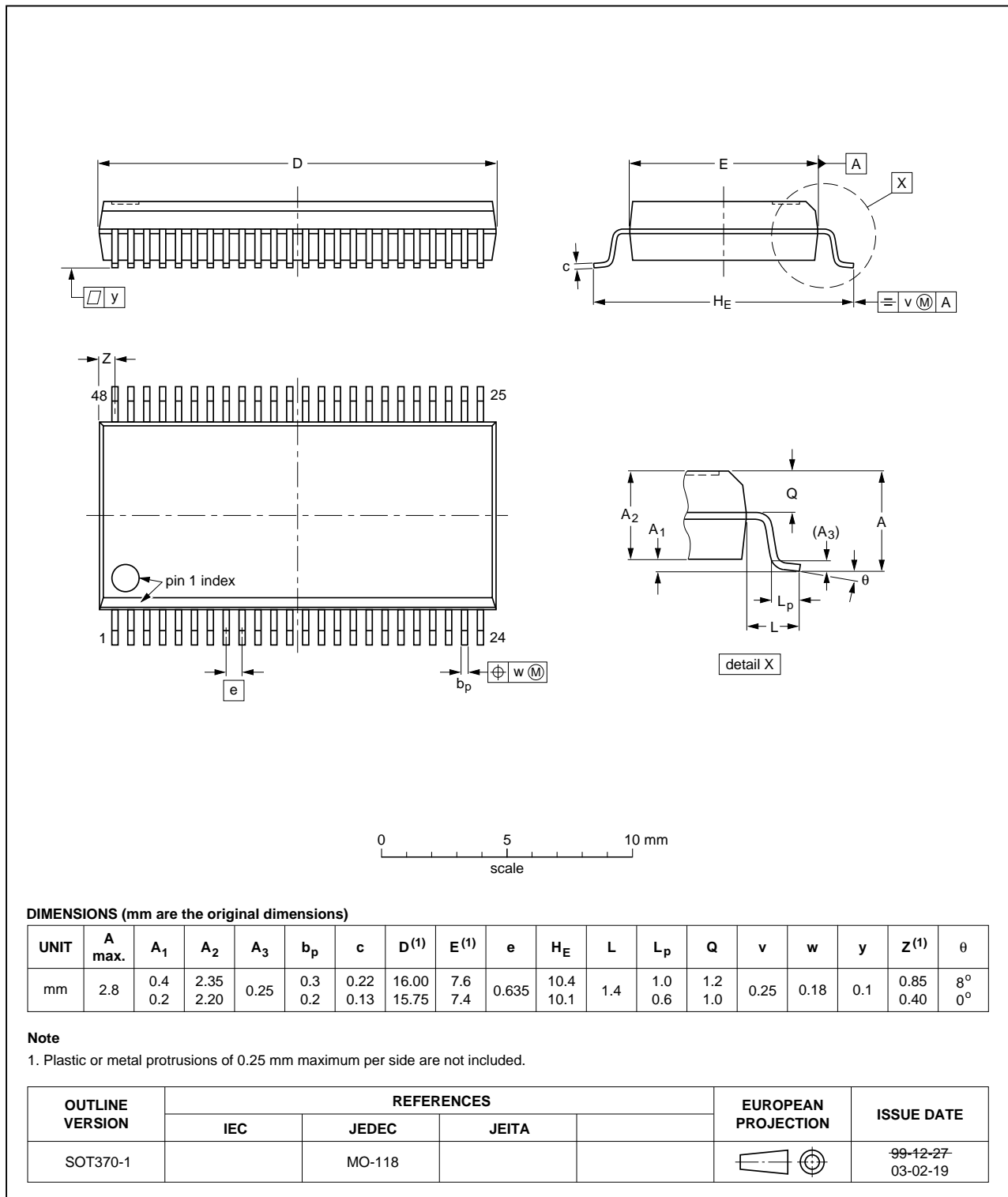


Fig 10. Package outline SOT370-1 (SSOP48)

TSSOP48: plastic thin shrink small outline package; 48 leads; body width 6.1 mm

SOT362-1

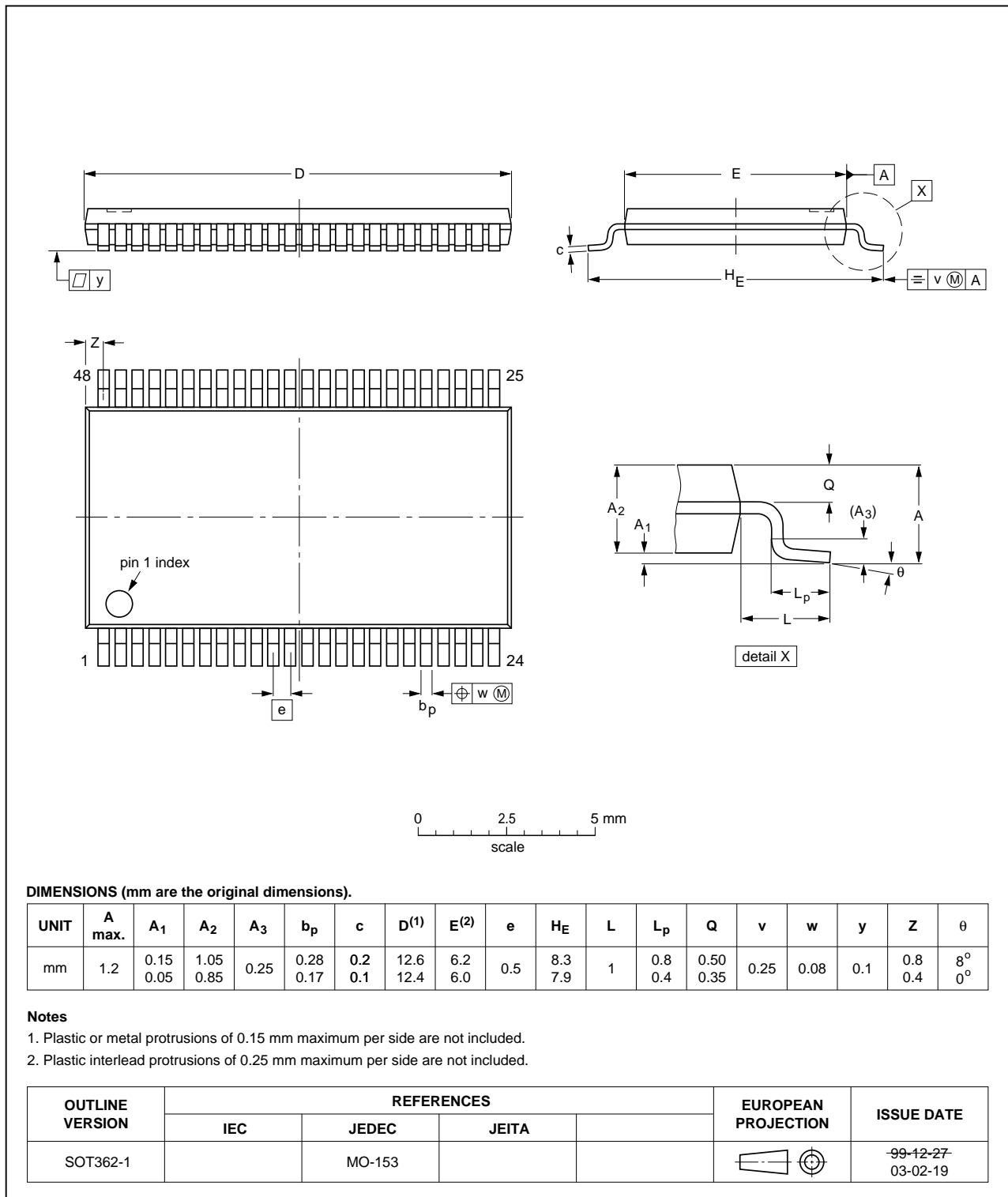


Fig 11. Package outline SOT362-1 (TSSOP48)

VFBGA56: plastic very thin fine-pitch ball grid array package; 56 balls; body 4.5 x 7 x 0.65 mm

SOT702-1

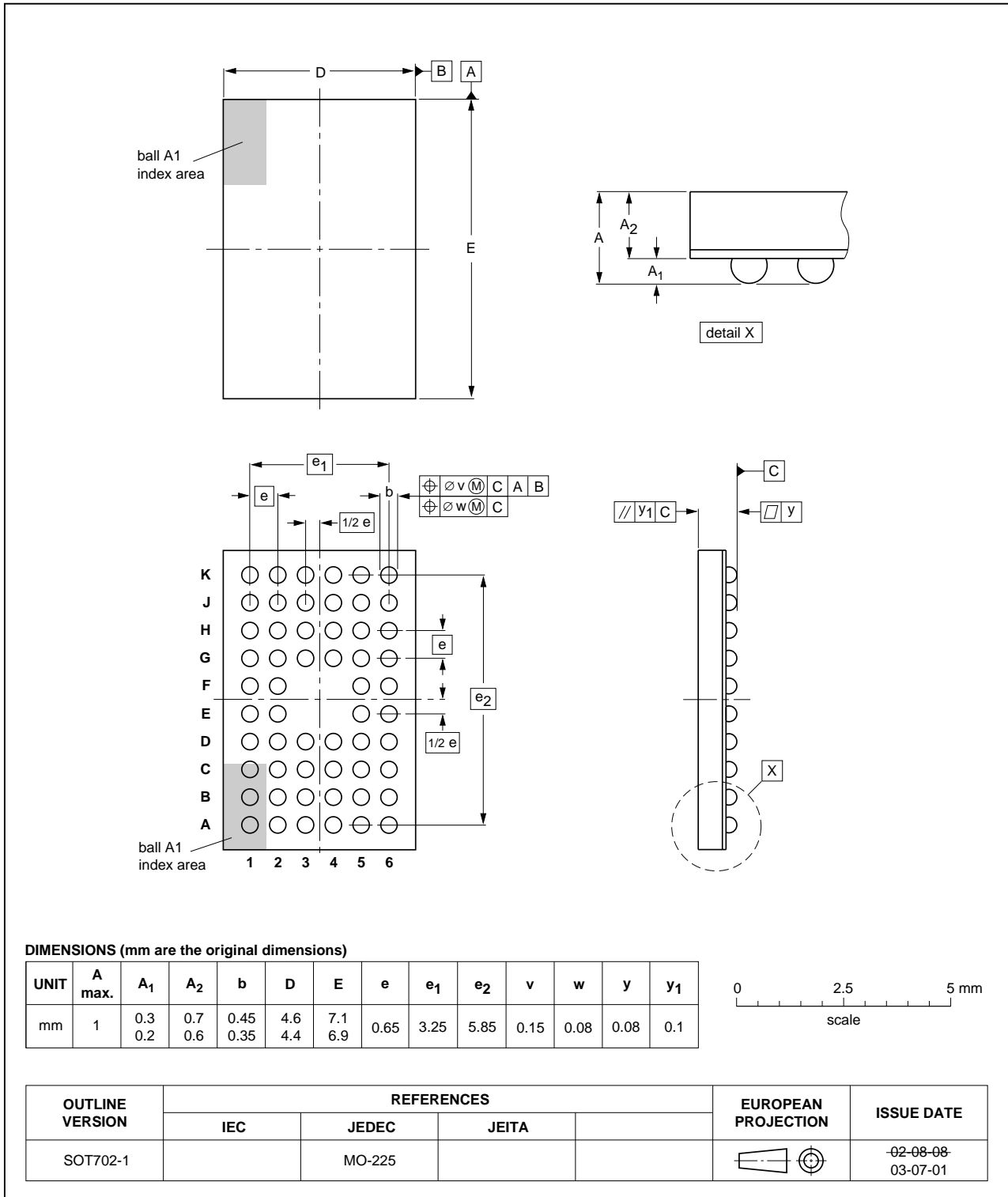


Fig 12. Package outline SOT702-1 (VFBGA56)

HXQFN60: plastic compatible thermal enhanced extremely thin quad flat package; no leads; 60 terminals; body 4 x 6 x 0.5 mm

SOT1134-2

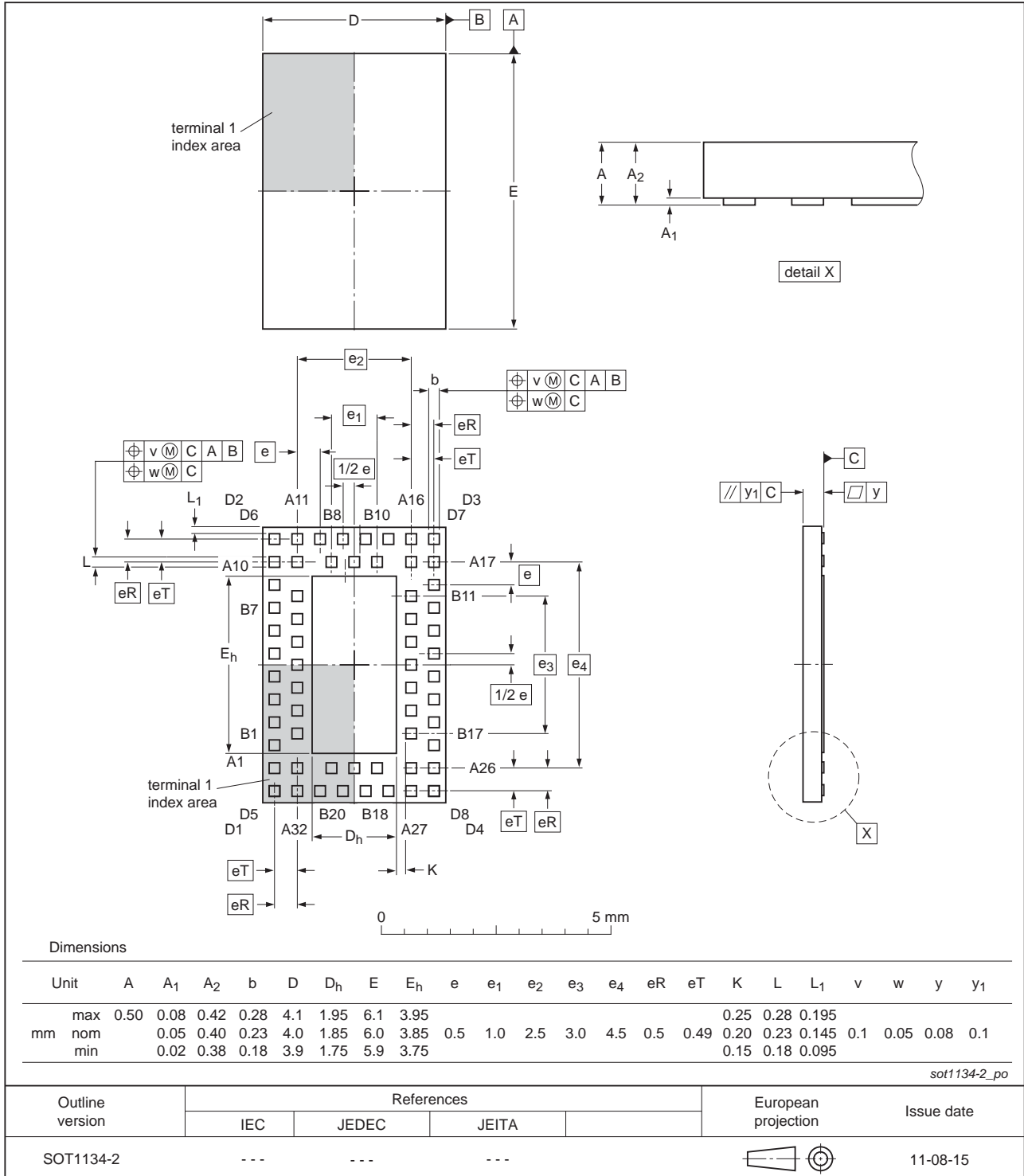


Fig 13. Package outline SOT1134-2 (HXQFN60)



## 13. Abbreviations

Table 10. Abbreviations

Acronym	Description
CDM	Charged Device Model
DUT	Device Under Test
ESD	ElectroStatic Discharge
HBM	Human Body Model
MM	Machine Model
TTL	Transistor-Transistor Logic

## 14. Revision history

Table 11. Revision history

Document ID	Release date	Data sheet status	Change notice	Supersedes
74LVC_LVCH16245A v.12	20120213	Product data sheet	-	74LVC_LVCH16245A v.11
Modifications:	<ul style="list-style-type: none"> <li>For type number 74LVC16245ABX and 74LVCH16245ABX the sot code has changed to SOT1134-2.</li> </ul>			
74LVC_LVCH16245A v.11	20111208	Product data sheet	-	74LVC_LVCH16245A v.10
Modifications:	<ul style="list-style-type: none"> <li><a href="#">Table 4</a>, <a href="#">Table 5</a>, <a href="#">Table 6</a>, <a href="#">Table 7</a>, and <a href="#">Table 9</a>: values added for lower voltage ranges.</li> </ul>			
74LVC_LVCH16245A v.10	20110623	Product data sheet	-	74LVC_LVCH16245A v.9
Modifications:	<ul style="list-style-type: none"> <li>type numbers 74LVC16245ABQ and 74LVCH16245ABQ changed to 74LVC16245ABX and 74LVCH16245ABX.</li> <li><a href="#">Figure 6</a>: figure note 1 changed.</li> </ul>			
74LVC_LVCH16245A v.9	20100329	Product data sheet	-	74LVC_LVCH16245A v.8
74LVC_LVCH16245A v.8	20081106	Product data sheet	-	74LVC_LVCH16245A v.7
74LVC_LVCH16245A v.7	20031125	Product specification	-	74LVC_LVCH16245A v.6
74LVC_LVCH16245A v.6	20030130	Product specification	-	74LVC_LVCH16245A v.5
74LVC_LVCH16245A v.5	20021030	Product specification	-	74LVC_H16245A v.4
74LVC_H16245A v.4	19970925	Product specification	-	74LVC16245A_ 74LVCH16245A v.3
74LVC16245A_ 74LVCH16245A v.3	19970925	Product specification	-	74LVC16245A v.2
74LVC16245A v.2	19970801	Product specification	-	74LVC16245A v.1
74LVC16245A v.1	-	-	-	-

## 15. Legal information

### 15.1 Data sheet status

Document status <sup>[1][2]</sup>	Product status <sup>[3]</sup>	Definition
Objective [short] data sheet	Development	This document contains data from the objective specification for product development.
Preliminary [short] data sheet	Qualification	This document contains data from the preliminary specification.
Product [short] data sheet	Production	This document contains the product specification.

[1] Please consult the most recently issued document before initiating or completing a design.

[2] The term 'short data sheet' is explained in section "Definitions".

[3] The product status of device(s) described in this document may have changed since this document was published and may differ in case of multiple devices. The latest product status information is available on the Internet at URL <http://www.nexperia.com>.

### 15.2 Definitions

**Draft** — The document is a draft version only. The content is still under internal review and subject to formal approval, which may result in modifications or additions. Nexperia does not give any representations or warranties as to the accuracy or completeness of information included herein and shall have no liability for the consequences of use of such information.

**Short data sheet** — A short data sheet is an extract from a full data sheet with the same product type number(s) and title. A short data sheet is intended for quick reference only and should not be relied upon to contain detailed and full information. For detailed and full information see the relevant full data sheet, which is available on request via the local Nexperia sales office. In case of any inconsistency or conflict with the short data sheet, the full data sheet shall prevail.

**Product specification** — The information and data provided in a Product data sheet shall define the specification of the product as agreed between Nexperia and its customer, unless Nexperia and customer have explicitly agreed otherwise in writing. In no event however, shall an agreement be valid in which the Nexperia product is deemed to offer functions and qualities beyond those described in the Product data sheet.

### 15.3 Disclaimers

**Limited warranty and liability** — Information in this document is believed to be accurate and reliable. However, Nexperia does not give any representations or warranties, expressed or implied, as to the accuracy or completeness of such information and shall have no liability for the consequences of use of such information. Nexperia takes no responsibility for the content in this document if provided by an information source outside of Nexperia.

In no event shall Nexperia be liable for any indirect, incidental, punitive, special or consequential damages (including - without limitation - lost profits, lost savings, business interruption, costs related to the removal or replacement of any products or rework charges) whether or not such damages are based on tort (including negligence), warranty, breach of contract or any other legal theory.

Notwithstanding any damages that customer might incur for any reason whatsoever, Nexperia's aggregate and cumulative liability towards customer for the products described herein shall be limited in accordance with the *Terms and conditions of commercial sale* of Nexperia.

**Right to make changes** — Nexperia reserves the right to make changes to information published in this document, including without limitation specifications and product descriptions, at any time and without notice. This document supersedes and replaces all information supplied prior to the publication hereof.

**Suitability for use** — Nexperia products are not designed, authorized or warranted to be suitable for use in life support, life-critical or safety-critical systems or equipment, nor in applications where failure or malfunction of a Nexperia product can reasonably be expected to result in personal injury, death or severe property or environmental damage. Nexperia and its suppliers accept no liability for inclusion and/or use of Nexperia products in such equipment or applications and therefore such inclusion and/or use is at the customer's own risk.

**Applications** — Applications that are described herein for any of these products are for illustrative purposes only. Nexperia makes no representation or warranty that such applications will be suitable for the specified use without further testing or modification.

Customers are responsible for the design and operation of their applications and products using Nexperia products, and Nexperia accepts no liability for any assistance with applications or customer product design. It is customer's sole responsibility to determine whether the Nexperia product is suitable and fit for the customer's applications and products planned, as well as for the planned application and use of customer's third party customer(s). Customers should provide appropriate design and operating safeguards to minimize the risks associated with their applications and products.

Nexperia does not accept any liability related to any default, damage, costs or problem which is based on any weakness or default in the customer's applications or products, or the application or use by customer's third party customer(s). Customer is responsible for doing all necessary testing for the customer's applications and products using Nexperia products in order to avoid a default of the applications and the products or of the application or use by customer's third party customer(s). Nexperia does not accept any liability in this respect.

**Limiting values** — Stress above one or more limiting values (as defined in the Absolute Maximum Ratings System of IEC 60134) will cause permanent damage to the device. Limiting values are stress ratings only and (proper) operation of the device at these or any other conditions above those given in the Recommended operating conditions section (if present) or the Characteristics sections of this document is not warranted. Constant or repeated exposure to limiting values will permanently and irreversibly affect the quality and reliability of the device.

**Terms and conditions of commercial sale** — Nexperia products are sold subject to the general terms and conditions of commercial sale, as published at <http://www.nexperia.com/profile/terms>, unless otherwise agreed in a valid written individual agreement. In case an individual agreement is concluded only the terms and conditions of the respective agreement shall apply. Nexperia hereby expressly objects to applying the customer's general terms and conditions with regard to the purchase of Nexperia products by customer.

**No offer to sell or license** — Nothing in this document may be interpreted or construed as an offer to sell products that is open for acceptance or the grant, conveyance or implication of any license under any copyrights, patents or other industrial or intellectual property rights.

**Export control** — This document as well as the item(s) described herein may be subject to export control regulations. Export might require a prior authorization from competent authorities.

**Non-automotive qualified products** — Unless this data sheet expressly states that this specific Nexperia product is automotive qualified, the product is not suitable for automotive use. It is neither qualified nor tested in accordance with automotive testing or application requirements. Nexperia accepts no liability for inclusion and/or use of non-automotive qualified products in automotive equipment or applications.

In the event that customer uses the product for design-in and use in automotive applications to automotive specifications and standards, customer (a) shall use the product without Nexperia's warranty of the product for such automotive applications, use and specifications, and (b) whenever customer uses the product for automotive applications beyond

Nexperia's specifications such use shall be solely at customer's own risk, and (c) customer fully indemnifies Nexperia for any liability, damages or failed product claims resulting from customer design and use of the product for automotive applications beyond Nexperia's standard warranty and Nexperia's product specifications.

**Translations** — A non-English (translated) version of a document is for reference only. The English version shall prevail in case of any discrepancy between the translated and English versions.

## 15.4 Trademarks

Notice: All referenced brands, product names, service names and trademarks are the property of their respective owners.

## 16. Contact information

For more information, please visit: <http://www.nexperia.com>

For sales office addresses, please send an email to: [salesaddresses@nexperia.com](mailto:salesaddresses@nexperia.com)

## 17. Contents

---

<b>1</b>	<b>General description</b> . . . . .	<b>1</b>
<b>2</b>	<b>Features and benefits</b> . . . . .	<b>1</b>
<b>3</b>	<b>Ordering information</b> . . . . .	<b>2</b>
<b>4</b>	<b>Functional diagram</b> . . . . .	<b>2</b>
<b>5</b>	<b>Pinning information</b> . . . . .	<b>4</b>
5.1	Pinning . . . . .	4
5.2	Pin description . . . . .	6
<b>6</b>	<b>Functional description</b> . . . . .	<b>6</b>
<b>7</b>	<b>Limiting values</b> . . . . .	<b>7</b>
<b>8</b>	<b>Recommended operating conditions</b> . . . . .	<b>7</b>
<b>9</b>	<b>Static characteristics</b> . . . . .	<b>8</b>
<b>10</b>	<b>Dynamic characteristics</b> . . . . .	<b>9</b>
<b>11</b>	<b>Waveforms</b> . . . . .	<b>10</b>
<b>12</b>	<b>Package outline</b> . . . . .	<b>13</b>
<b>13</b>	<b>Abbreviations</b> . . . . .	<b>17</b>
<b>14</b>	<b>Revision history</b> . . . . .	<b>17</b>
<b>15</b>	<b>Legal information</b> . . . . .	<b>18</b>
15.1	Data sheet status . . . . .	18
15.2	Definitions . . . . .	18
15.3	Disclaimers . . . . .	18
15.4	Trademarks . . . . .	19
<b>16</b>	<b>Contact information</b> . . . . .	<b>19</b>
<b>17</b>	<b>Contents</b> . . . . .	<b>20</b>